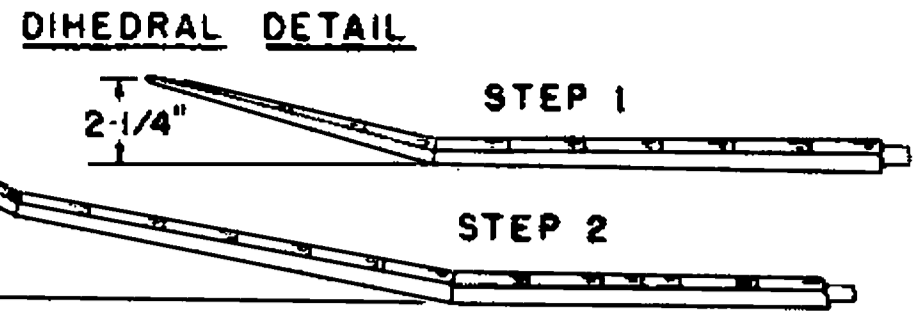
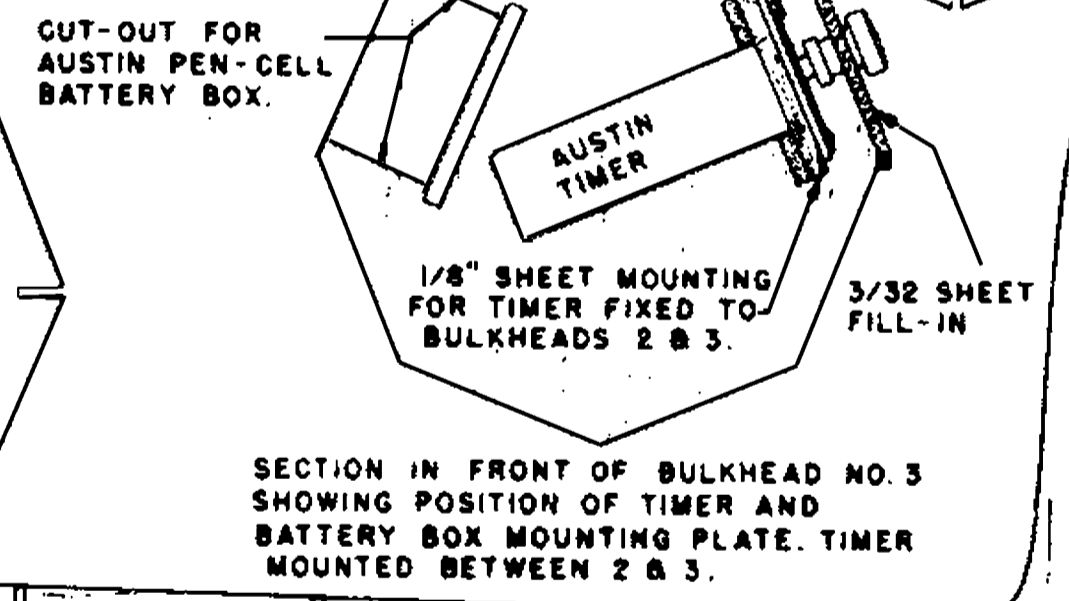
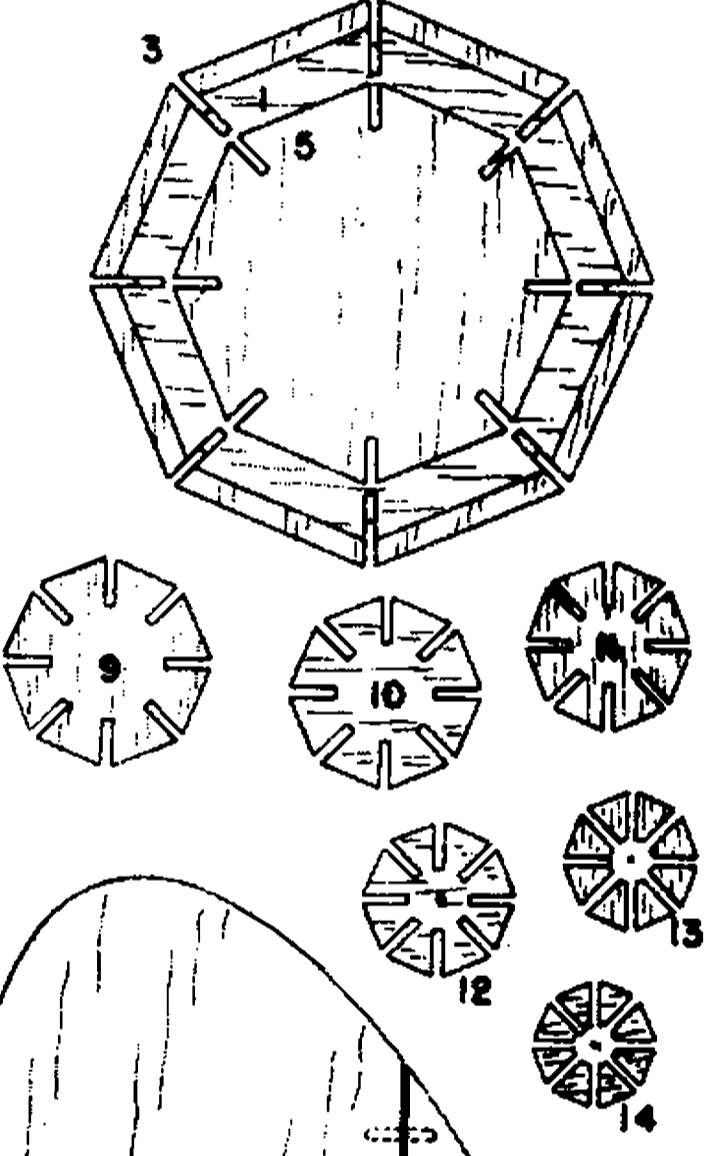
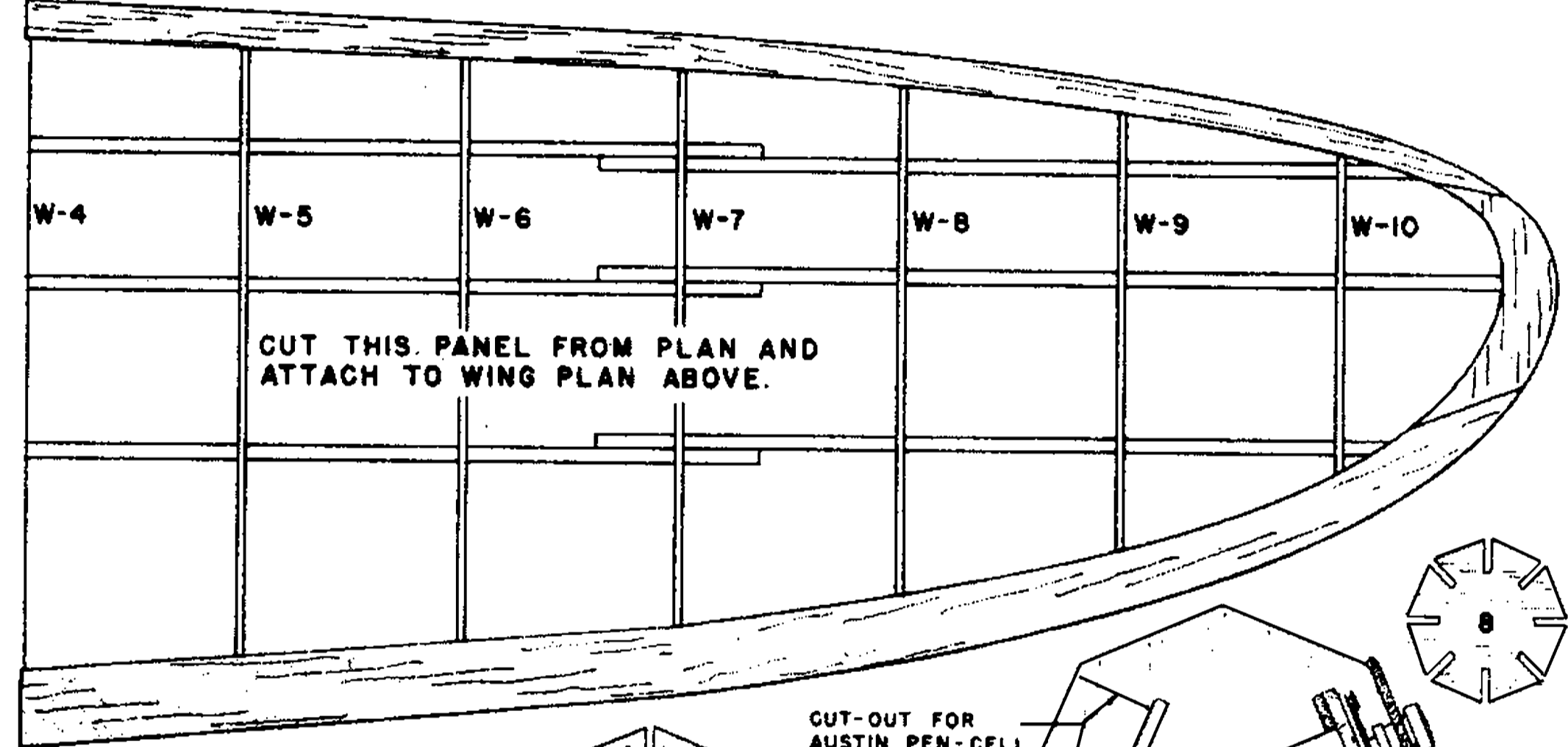


ALL WING AND STABILIZER RIBS CUT FROM 1/16 SHEET Balsa.
 ALL BULKHEADS CUT FROM 1/16 SHEET WITH THE EXCEPTION OF NO.1, WHICH IS 3/16 PLYWOOD.

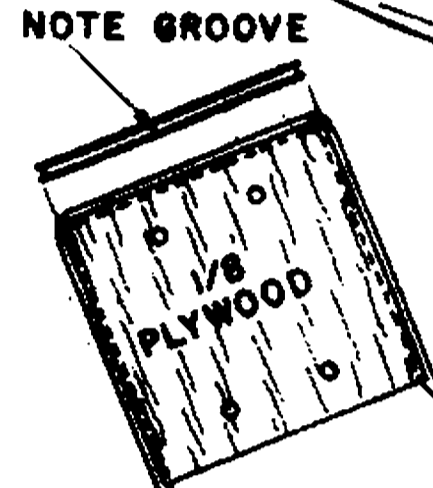
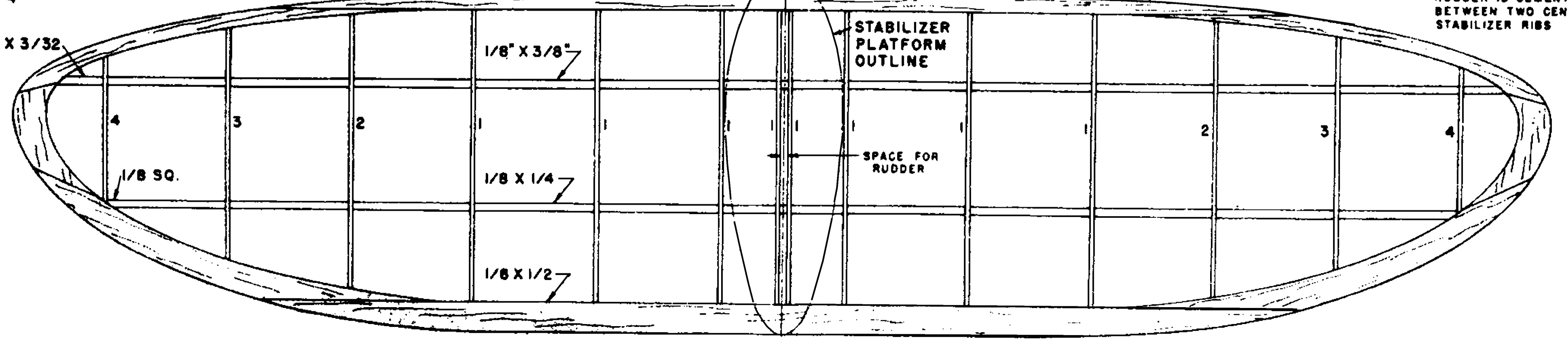
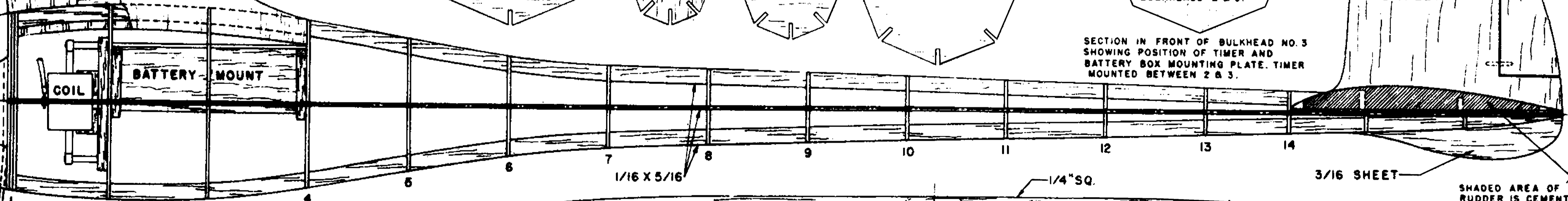


WING TRAILING EDGE
 TAPERS FROM 3/16 X 3/4 AT RIB 1 TO 5/32 X 5/8 AT RIB 7.

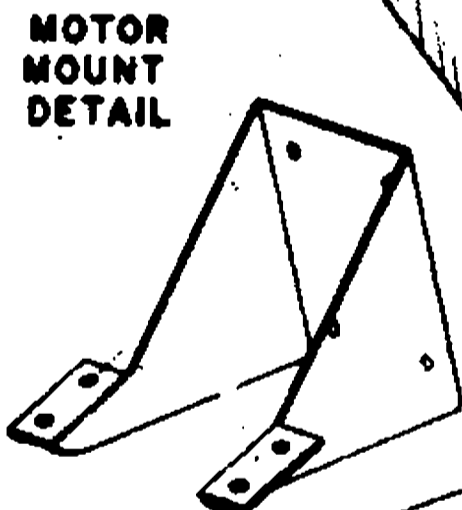
Snuff VI



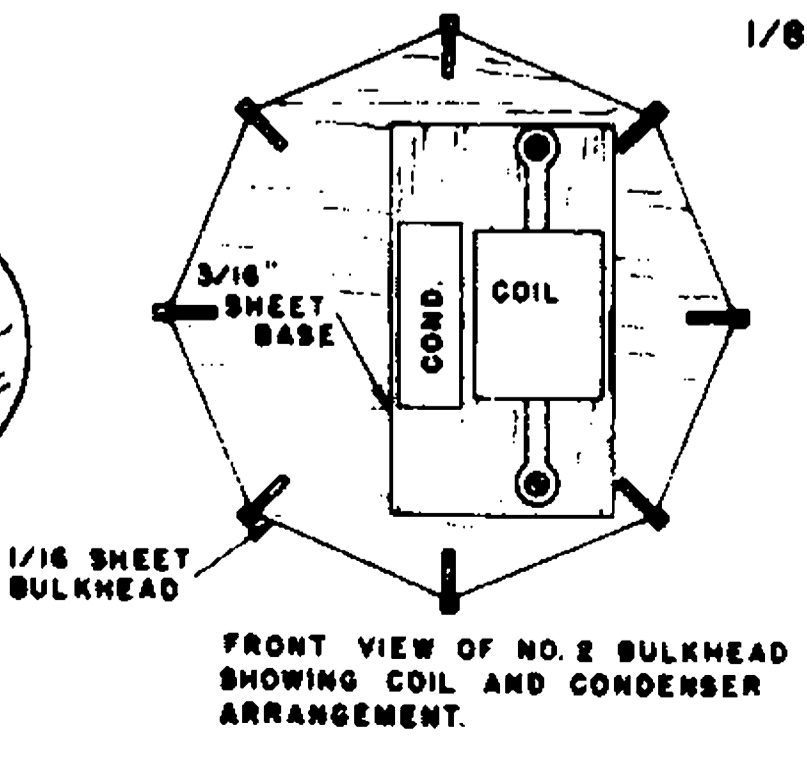
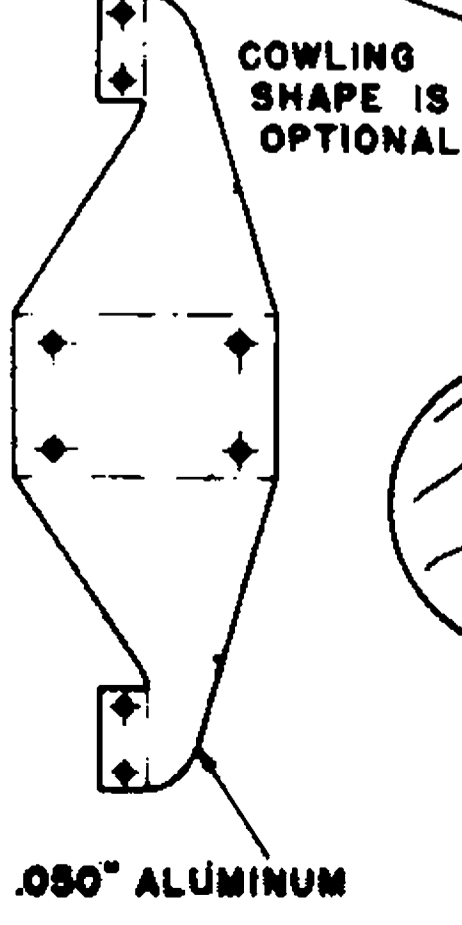
SECTION IN FRONT OF BULKHEAD NO. 3 SHOWING POSITION OF TIMER AND BATTERY BOX MOUNTING PLATE. TIMER MOUNTED BETWEEN 2 & 3.



3/32" STEEL WIRE



WING MOUNT
 3/32 SHEET - 3 PLY



SHADED AREA OF RUDDER IS CEMENTED BETWEEN TWO CENTER STABILIZER RIBS