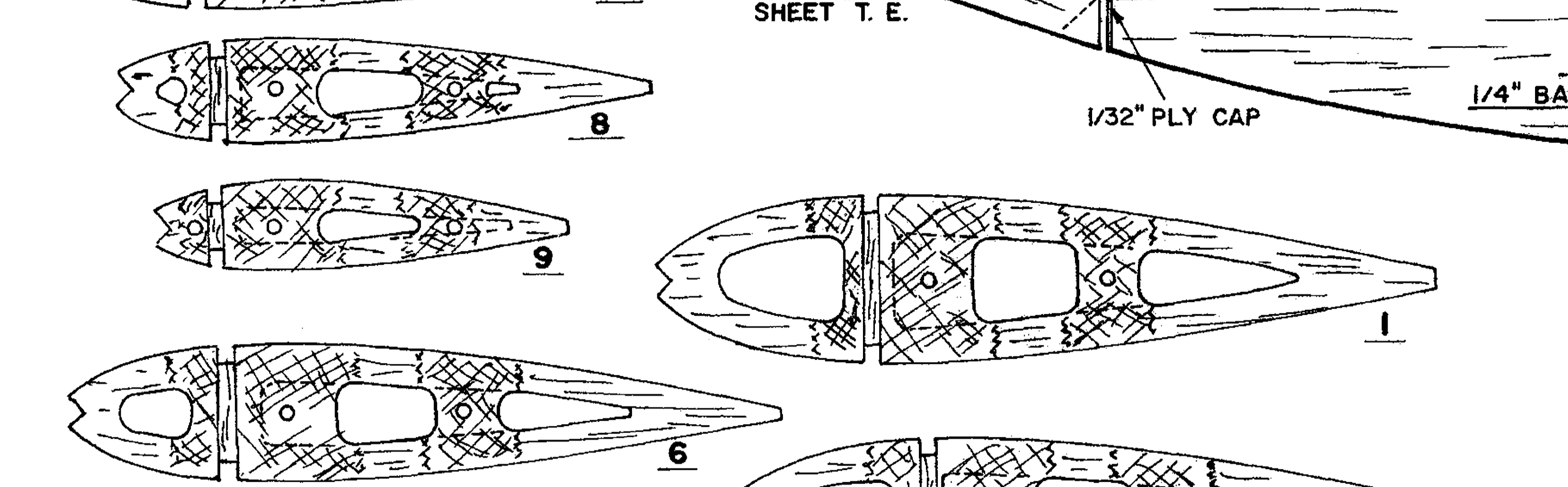
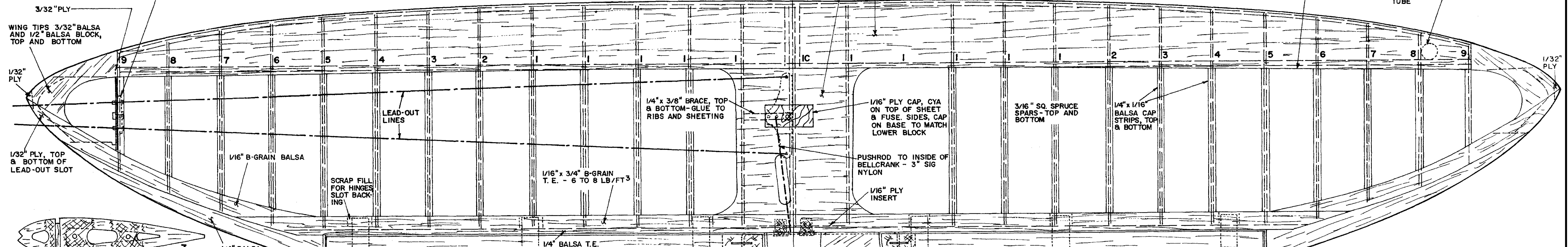
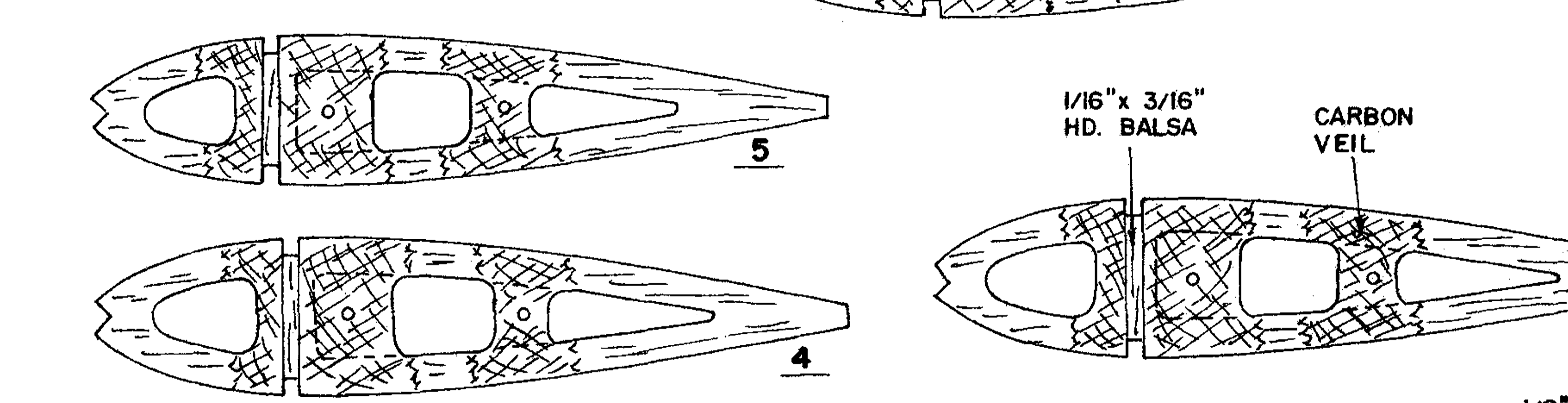


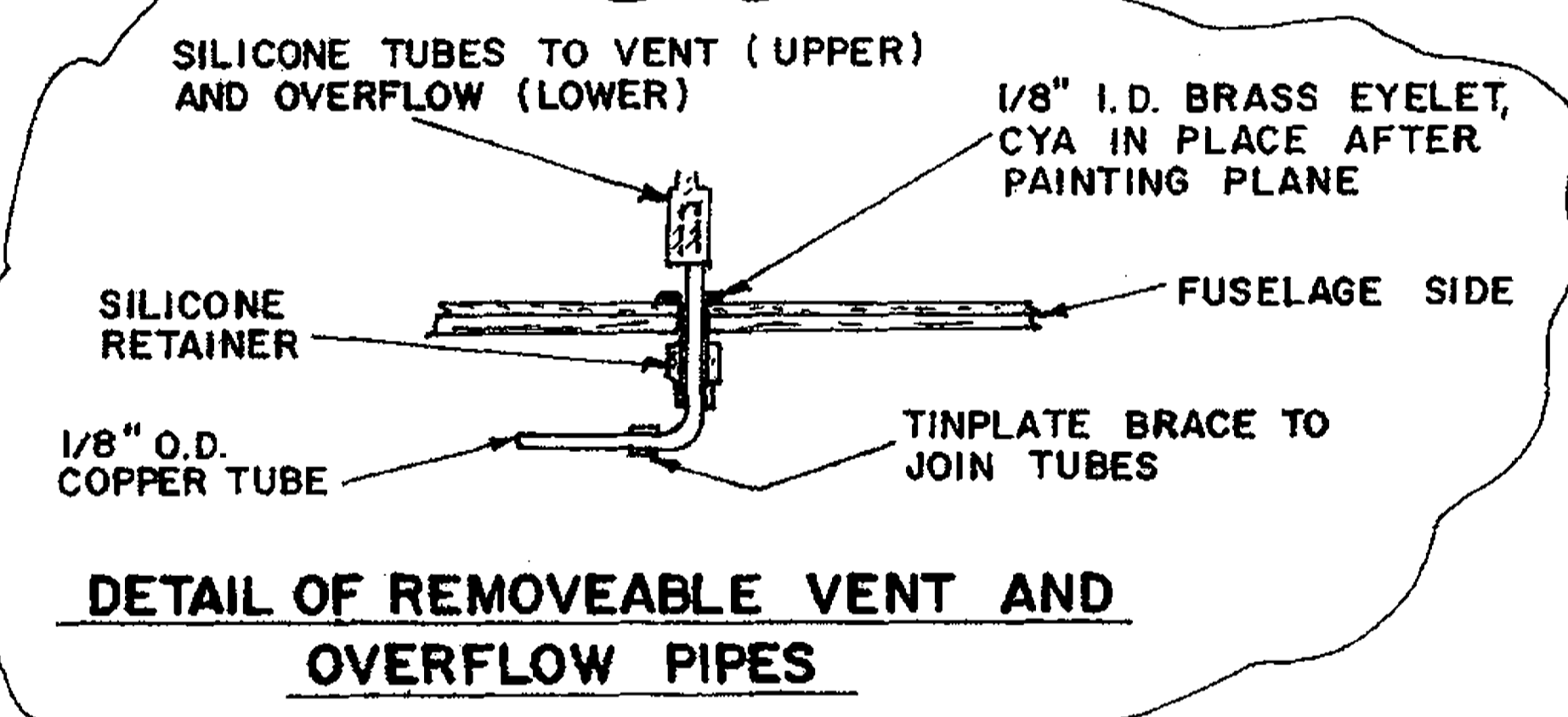
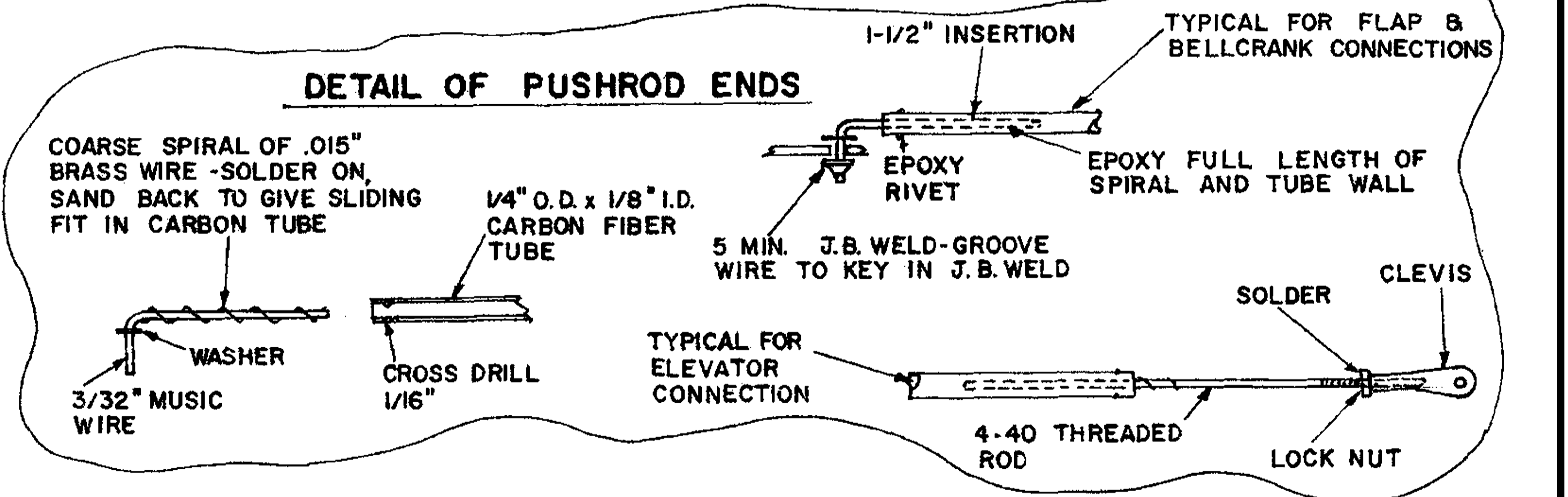
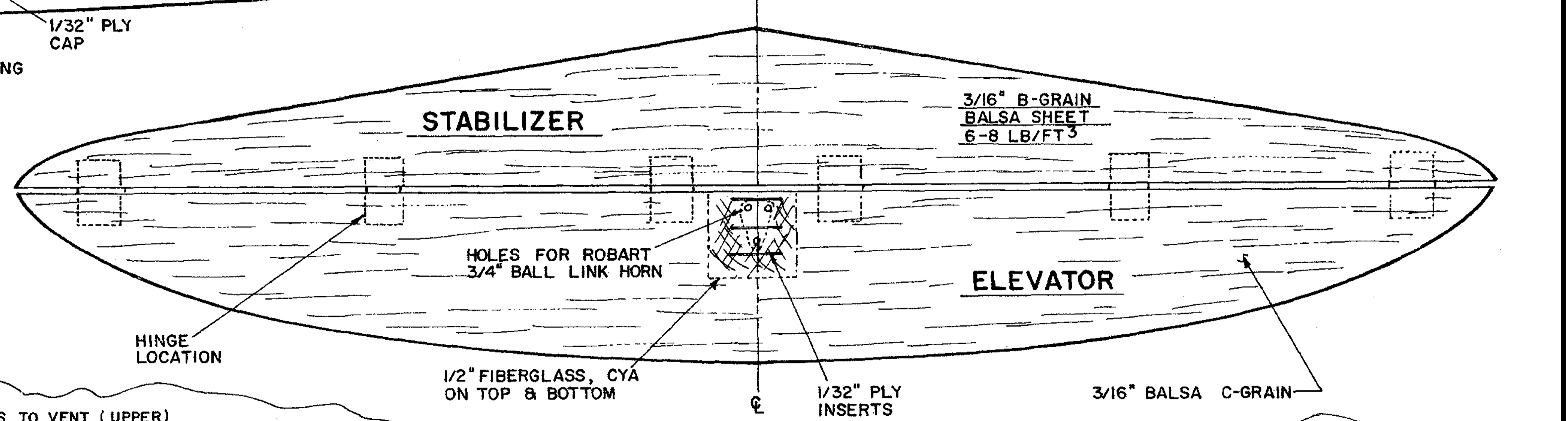
WING PLAN



WING RIB PATTERNS

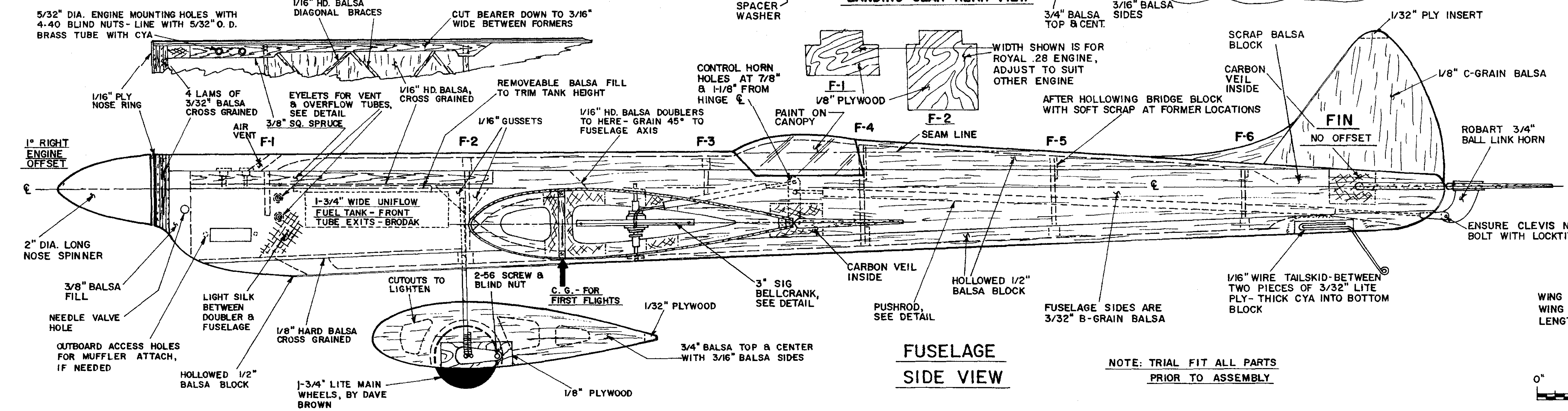
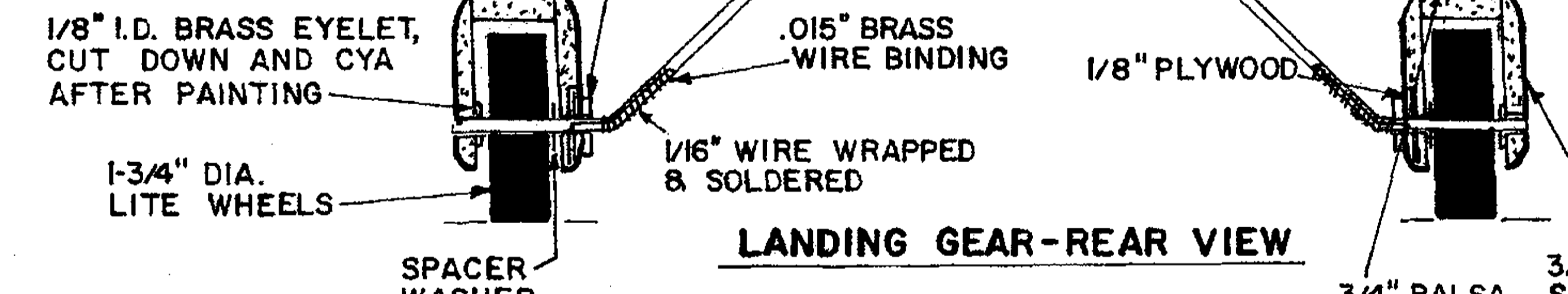


NOTE: FORMERS F-4, F-5, F-6 SHOWN WITH WIDTH SET BY USE OF ROYAL 28 ENGINE - OTHER ENGINES MAY REQUIRE CHANGES IN FORMER WIDTHS



NOTE: CUT AWAY RIBS TO DASHED LINE AFTER WING IS REMOVED FROM JIG AND CAP STRIPS ARE COMPLETE

RIBS
1C 3/16" Balsa, MAKE 1
1 3/32" Balsa, MAKE 10
2-9 3/32" Balsa, MAKE 2 OF EACH

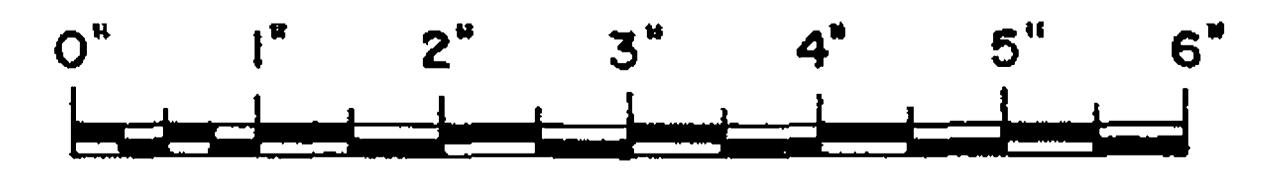


FUSELAGE SIDE VIEW

NOTE: TRIAL FIT ALL PARTS PRIOR TO ASSEMBLY

SPECIFICATIONS

WING SPAN.....57"
WING AREA.....510 SQ. IN.
LENGTH.....41-1/2"



**FLYING MODELS
SNOWBIRD**

DESIGNED & DRAWN BY CHARLES A. MACKAY 1963
REDRAWN BY IAN W. SMITH SEPT, 2005
INKED PLAN BY JOE DEMARCO
ALL RIGHTS RESERVED SHEET 1 OF 1