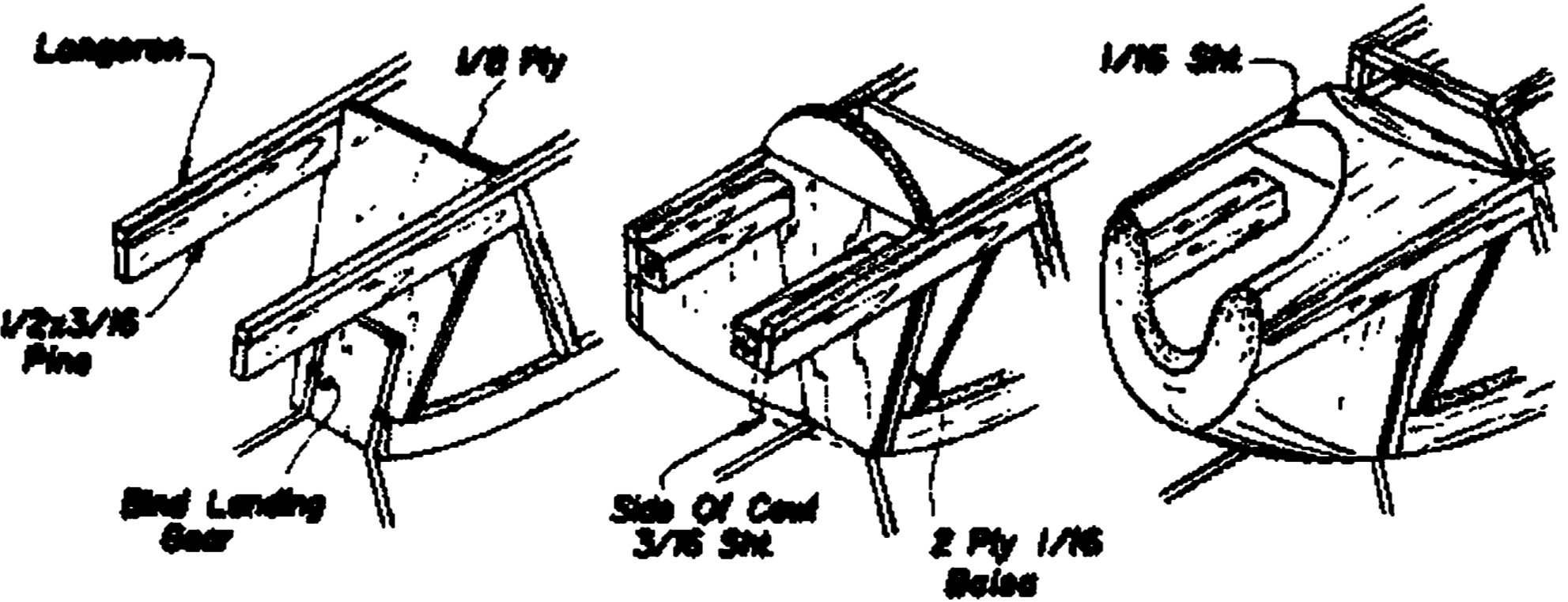
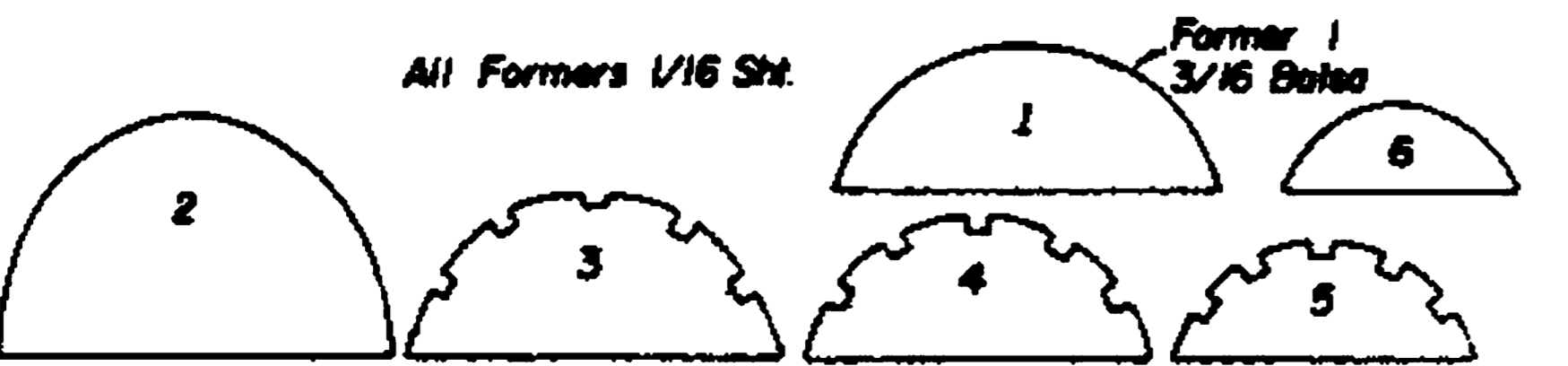
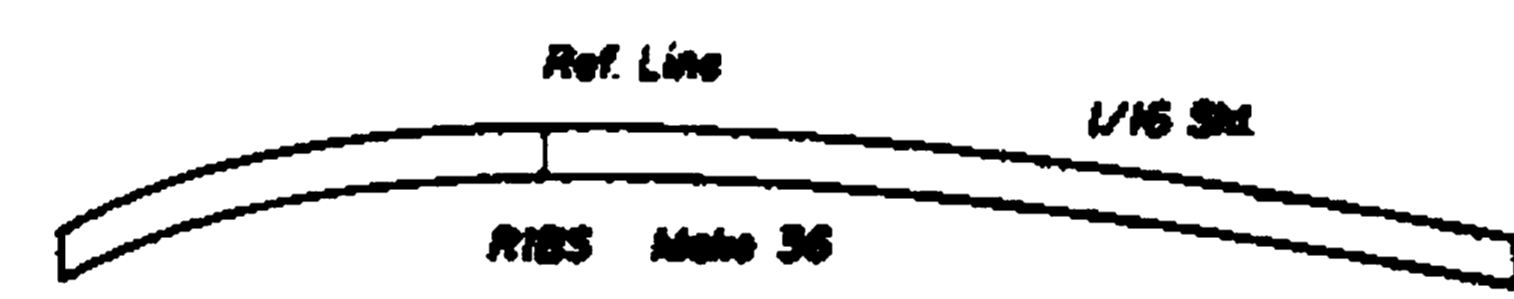
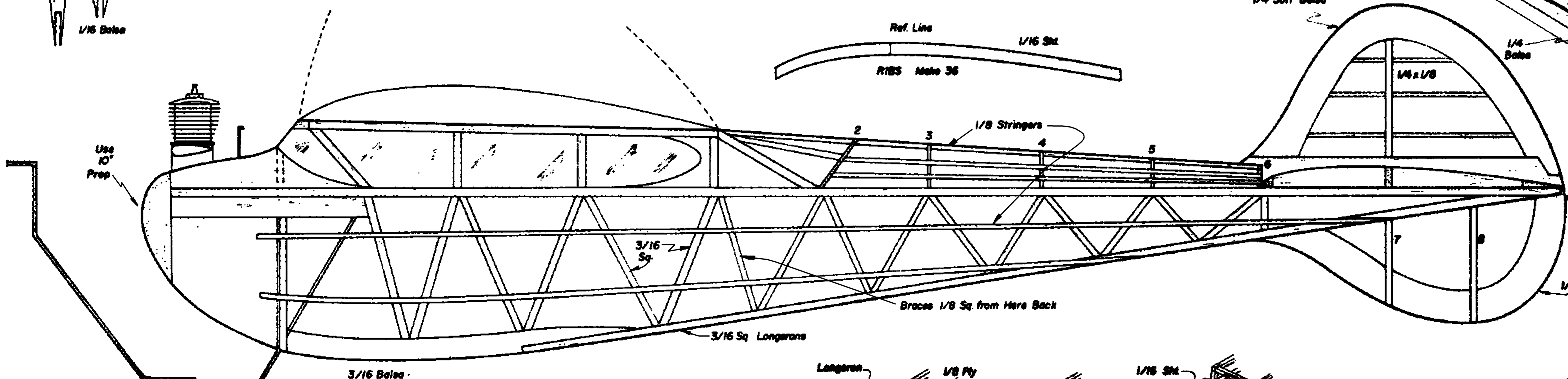
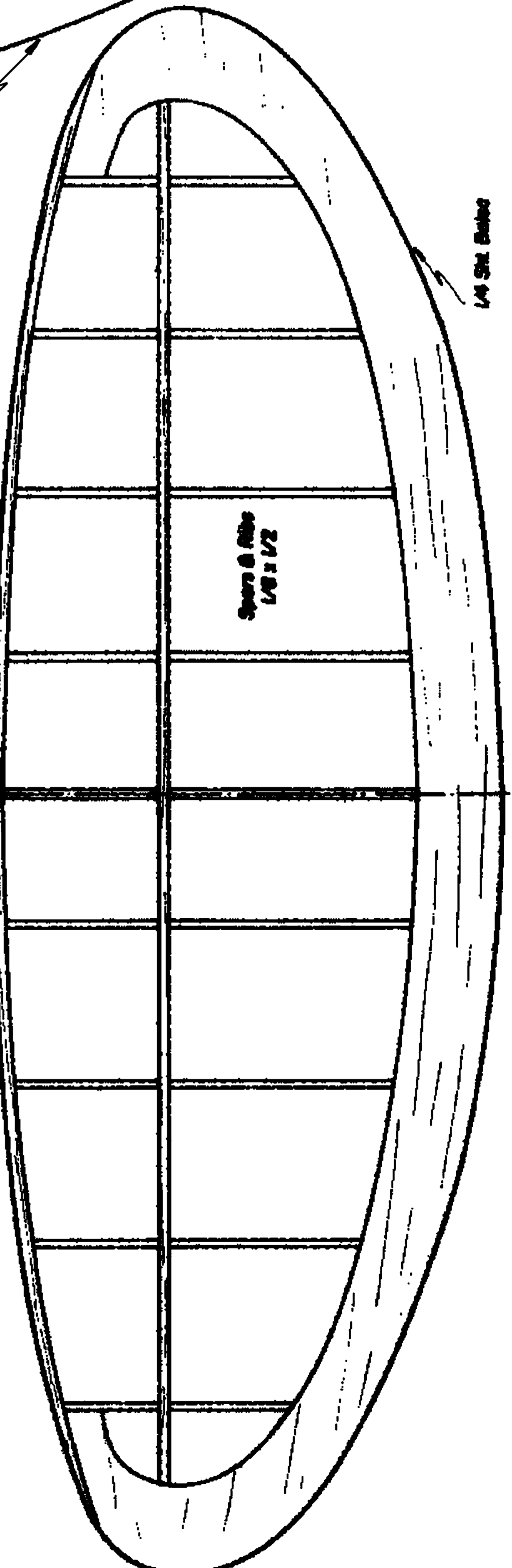
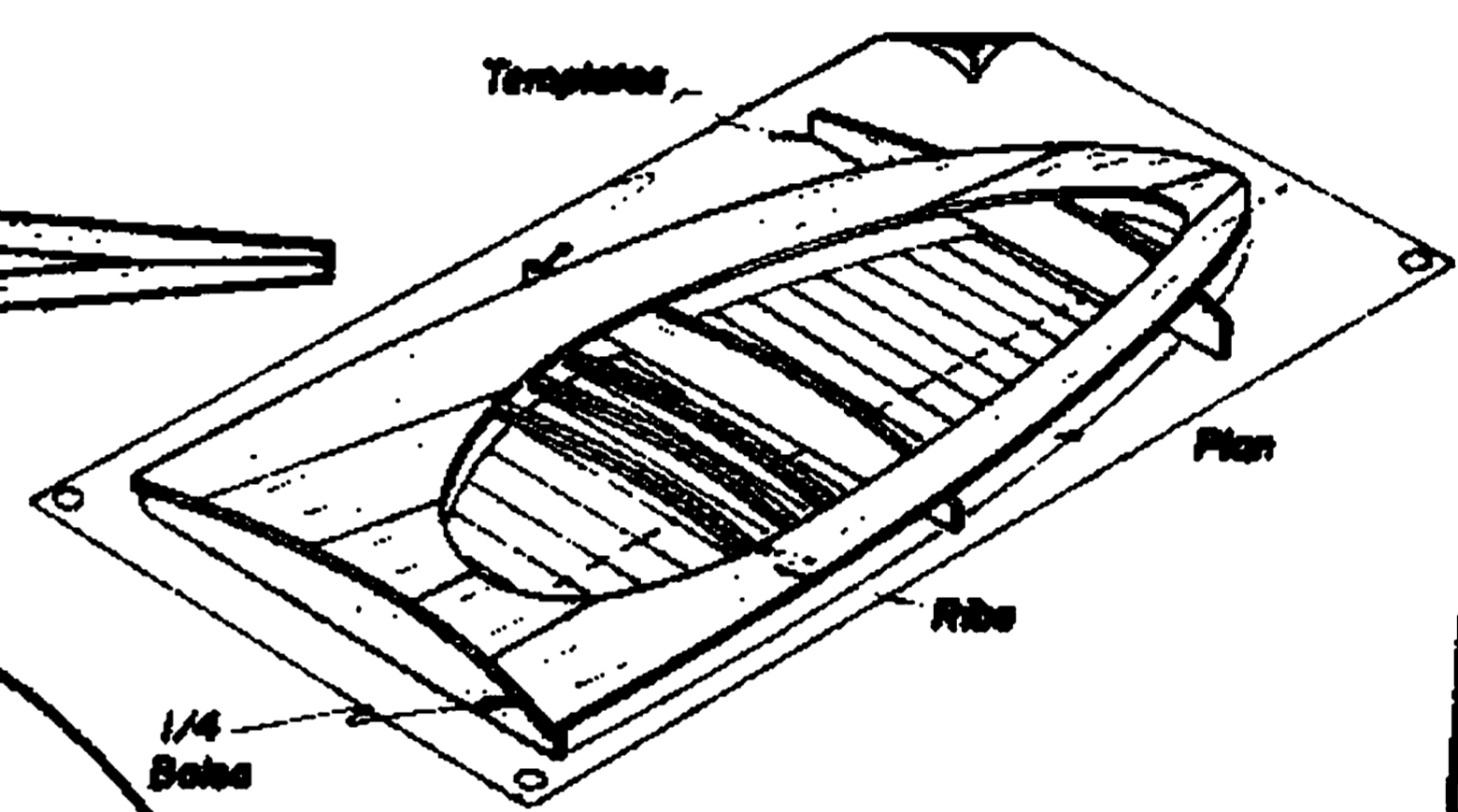
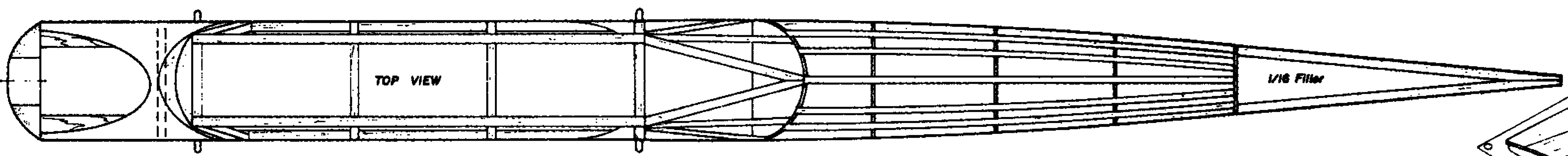
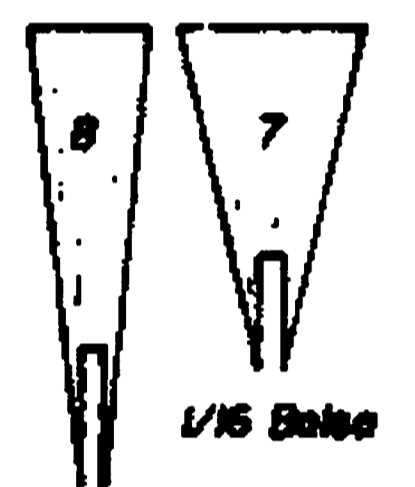
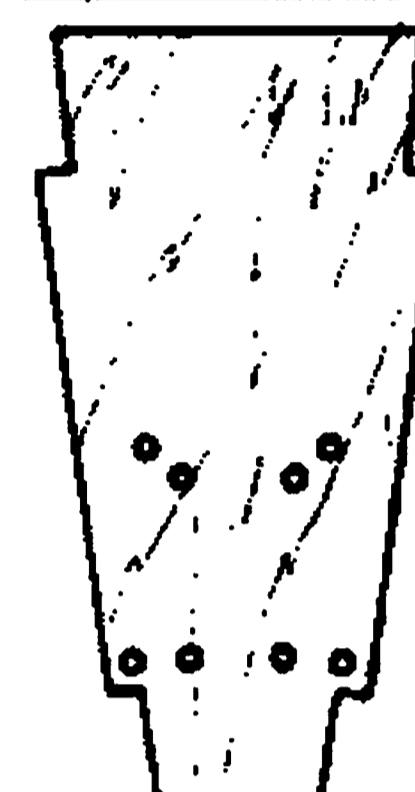


CONSTRUCTION OF NOSE



"THE ANSWER"
 Designed By
 GORDON MURRAY



Designed by Gordon Murray who later joined the Canadian RAF and was fatally shot down in the European theatre