



# MAM' SELLE

DESIGNED BY

**Vic Smeed**

COPYRIGHT OF



**THE AEROMODELLER PLANS SERVICE**

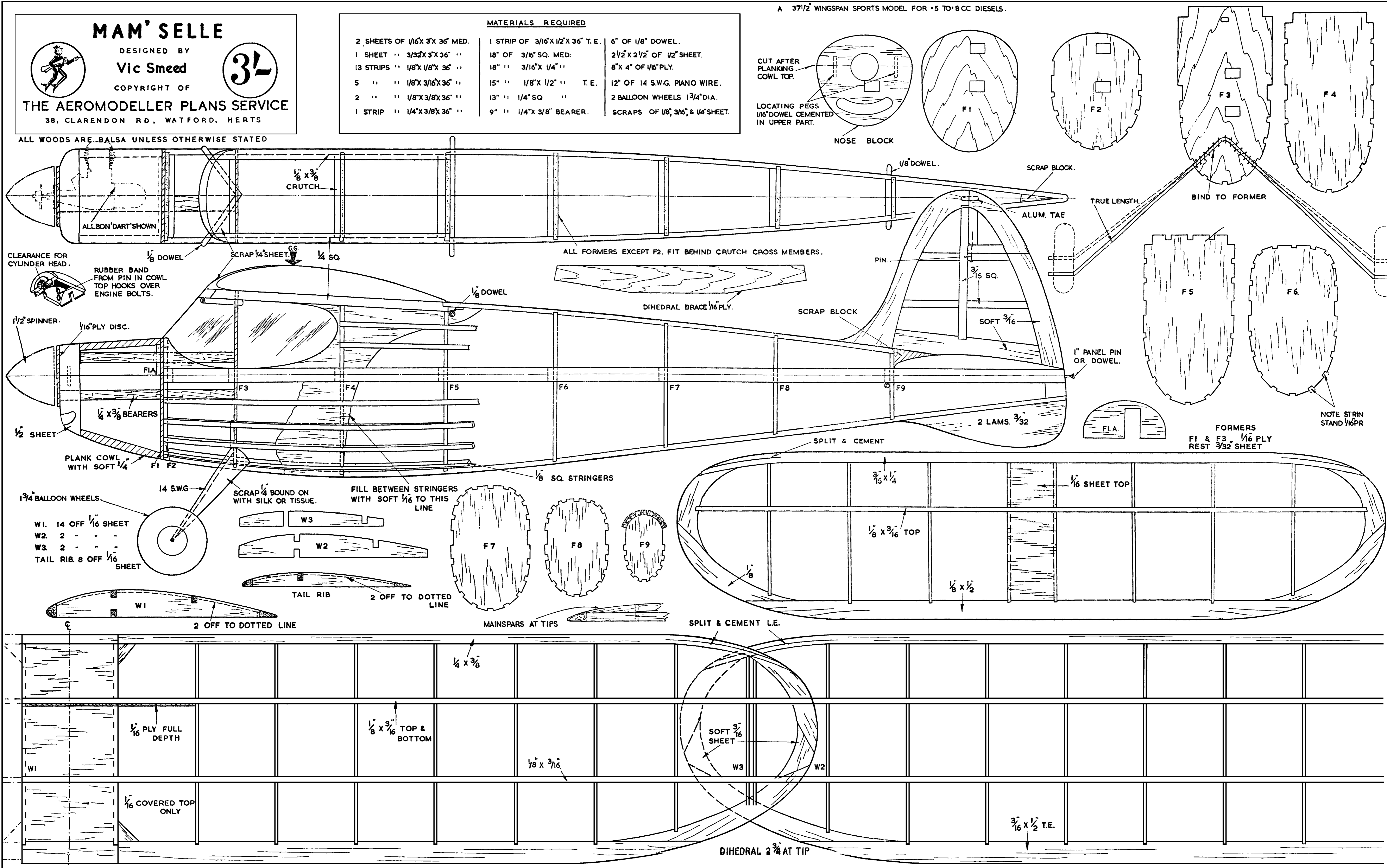
38, CLARENDON RD., WATFORD, HERTS

ALL WOODS ARE Balsa UNLESS OTHERWISE STATED

### MATERIALS REQUIRED

- |                                   |                                    |                                      |
|-----------------------------------|------------------------------------|--------------------------------------|
| 2 SHEETS OF 1/16" X 3" X 36" MED. | 1 STRIP OF 3/16" X 1/2" X 36" T.E. | 6" OF 1/8" DOWEL.                    |
| 1 SHEET " 3/32" X 3" X 36" "      | 18" OF 3/16" SQ. MED.              | 2 1/2" X 2 1/2" OF 1/2" SHEET.       |
| 13 STRIPS " 1/8" X 1/8" X 36" "   | 18" " 3/16" X 1/4" "               | 8" X 4" OF 1/16" PLY.                |
| 5 " " 1/8" X 3/16" X 36" "        | 15" " 1/8" X 1/2" " T.E.           | 12" OF 14 S.W.G. PIANO WIRE.         |
| 2 " " 1/8" X 3/8" X 36" "         | 13" " 1/4" SQ " "                  | 2 BALLOON WHEELS 1 3/4" DIA.         |
| 1 STRIP " 1/4" X 3/8" X 36" "     | 9" " 1/4" X 3/8" BEARER.           | SCRAPS OF 1/8", 3/16", & 1/4" SHEET. |

A 37 1/2" WINGSPAN SPORTS MODEL FOR .5 TO .8 CC DIESELS.



- W1. 14 OFF 1/16 SHEET
- W2. 2 " " "
- W3. 2 " " "
- TAIL RIB. 8 OFF 1/16 SHEET

